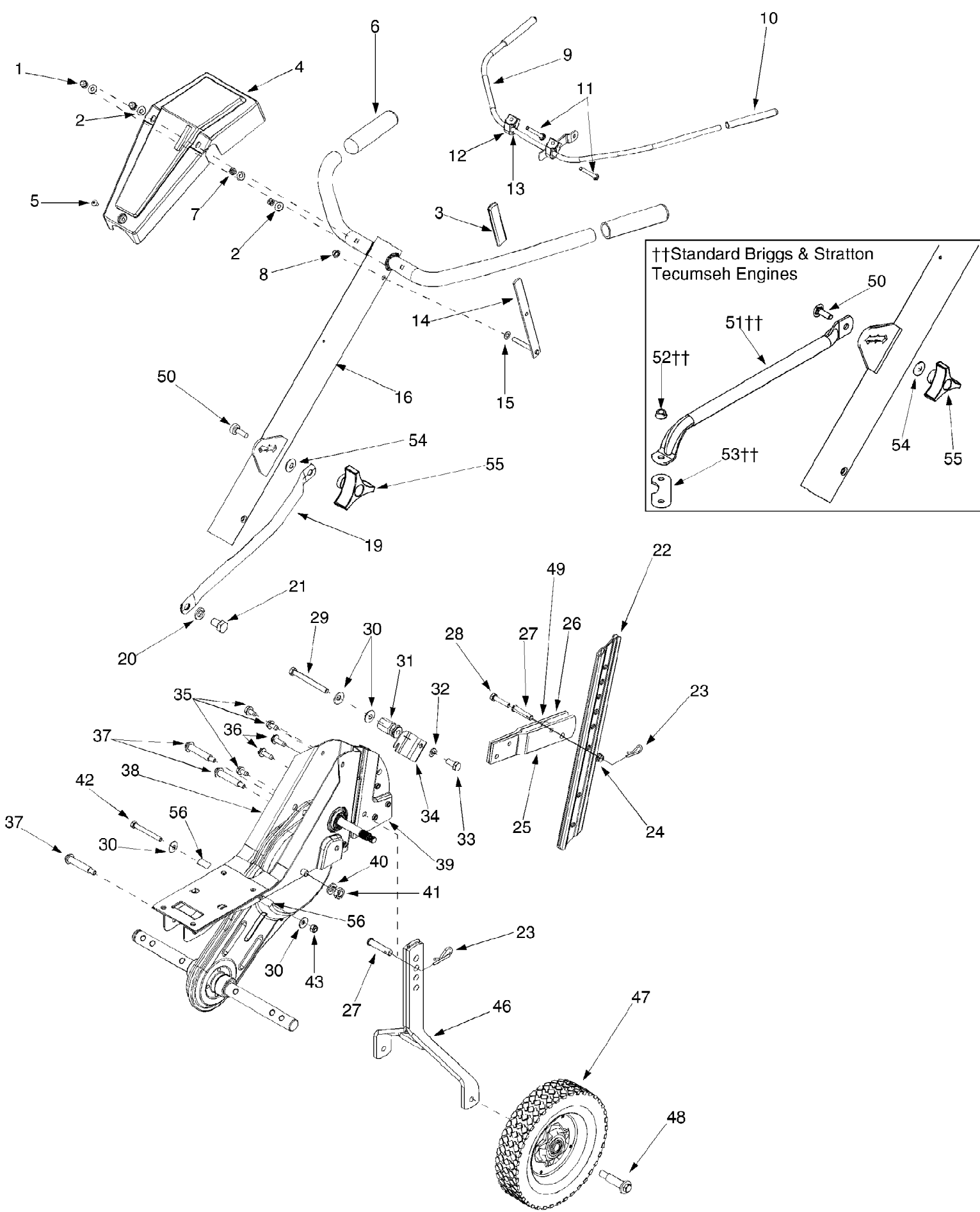


21A-393A090 (2007)
Chain Case & Tines



21A-393A090 (2007)
Chain Case & Tines

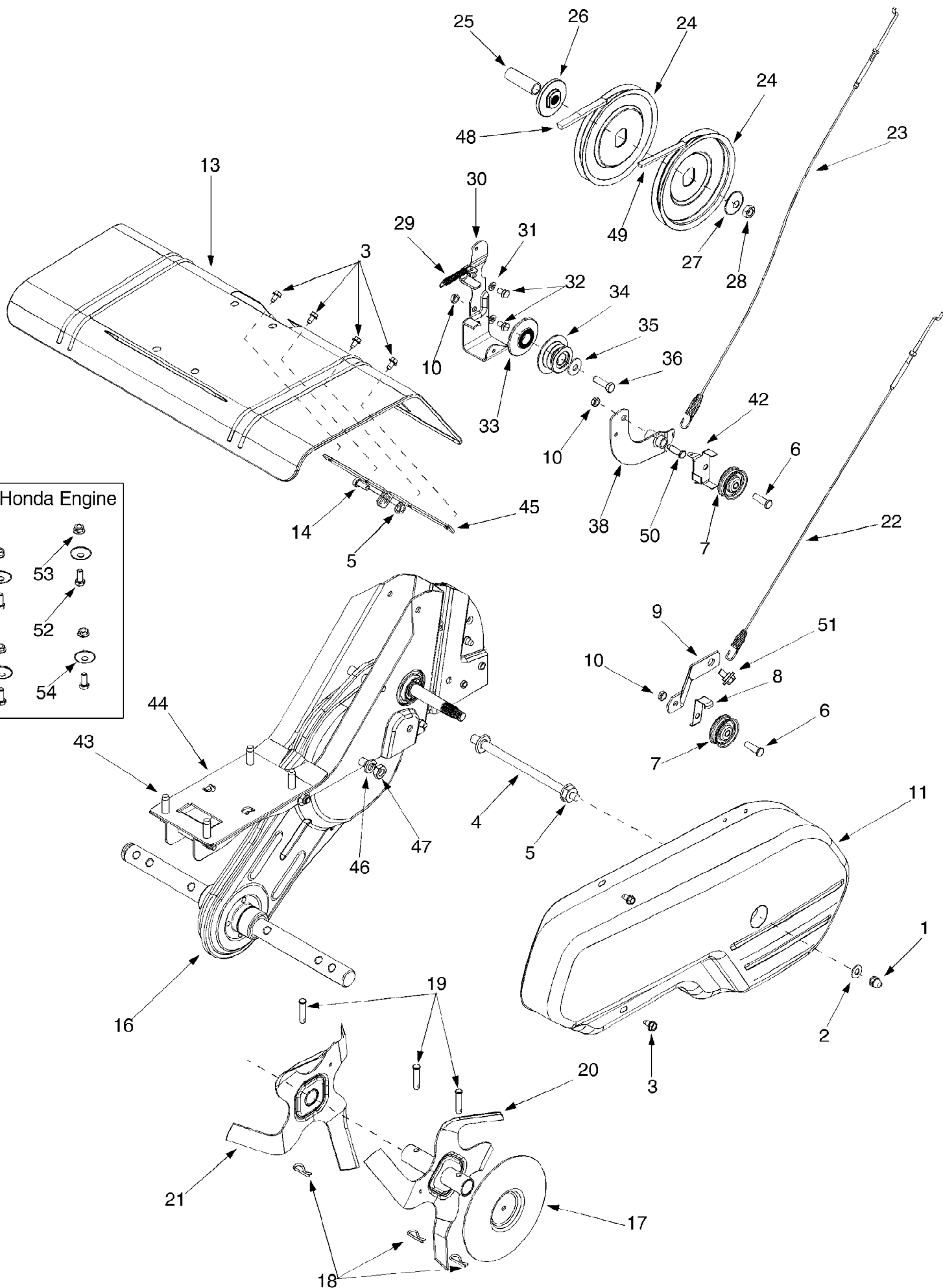
Page 2 of 7

| Ref # | Part Number | Qty | S/P/F | Description |
|-------|-------------|-----|-------|--|
| 1 | 712-0442 | 1 | S | Acorn Lock Nut 1/4-20 |
| 2 | 736-3020 | 1 | S | Flat Washer.271" I.D. x.630" O.D. |
| 3 | 720-0270A | 1 | | Reverse Handle Grip |
| 4 | 731-1600 | 1 | | Handle Cover w/o throttle |
| 5 | 710-0779A | 1 | /P | Truss Mach. Scr. #10 x 1/2" Lg. |
| 6 | 720-0274 | 1 | /P | Handle Grip |
| 7 | 712-3006 | 1 | /P | Hex Nut 1/4-20 Gr.2 |
| 8 | 726-0135 | 1 | /P | Cap Speed Nut |
| 9 | 686-0083 | 1 | S | Clutch Handle Assembly |
| 10 | 720-0269 | 1 | | Clutch Grip |
| 11 | 710-0641 | 1 | /P | Hex Bolt 1/4-20 x 2.25" Lg. Gr.5 |
| 12 | 731-1645A | 1 | S | Clutch Handle Holder |
| 13 | 736-0140 | 1 | S | Flat Washer.385" I.D. x.62" O.D. |
| 14 | 686-0014A | 1 | S | Reverse Handle Ass'y |
| 15 | 736-0264 | 1 | S | Flat Washer.344" I.D. x.62" O.D. |
| 16 | 649-04040 | 1 | | Handle Assembly Comp. |
| 19 | 749-1401 | 1 | | Handle Brace Briggs & Stratton Intek Engine or Honda Engine |
| 20 | 736-0921 | 1 | S | Lock Washer 1/2 Briggs & Stratton Intek Engine or Honda Engine |
| 21 | 710-3194 | 1 | | Hex Bolt 1/2-20 Gr. 5 Briggs & Stratton Intek Engine or Honda Engine |
| 22 | 786-0005 | 1 | S | Depth Bar |
| 23 | 714-0149B | 1 | S | Cotter Pin |
| 24 | 712-04063 | 1 | /P | Hex Flange L-Nut 5/16-18 Thd. Gr.5 |
| 25 | 786-0003 | 1 | S | Tail Piece Bracket (L.H.) |
| 26 | 786-0004 | 1 | S | Tail Piece Bracket (R.H.) |
| 27 | 711-0415 | 1 | S | Clevis Pin |
| 28 | 710-0805 | 1 | /P | Hex Bolt 5/16-18 x 1.5" Lg. |
| 29 | 710-0189 | 1 | /P | Hex Bolt 5/16-18 x 3" Lg. |
| 30 | 736-0242 | 1 | /P | Wash. Bell.340" I.D. x.872" O.D. |
| 31 | 711-1036A | 1 | | Spec. Hex Nut |
| 32 | 736-0119 | 1 | S | L-Wash. 5/16" I.D. |
| 33 | 710-3008 | 1 | /P | Hex Bolt 5/16-18 Gr. 5 |
| 34 | 786-0129 | 1 | S | Cable Guide Bracket |
| 35 | 710-0604A | 1 | /P | Hex Washer Screw 5/16-18 x.62" Lg. |
| 36 | 710-0602 | 1 | /P | Hex Wash. Hd. TT-Tap Scr. |
| 37 | 738-0934 | 1 | | Shdl. Bolt 5/16-18 |
| 38 | 786-0138A | 1 | | Frame (R.H.) |
| 39 | 786-0139A | 1 | /P | Frame (L.H.) |
| 40 | 736-0171 | 1 | S | Lock Washer 7/16 |
| 41 | 712-0240 | 1 | S | Jam Nut 7/16-20 Gr. 2 |
| 42 | 710-0176 | 1 | /P | Hex Bolt 5/16-18 x 2.75" Lg. |
| 43 | 712-0429 | 1 | S | Hex Nylon Nut 5/16-18 Thd. |
| 46 | 686-0081A | 1 | S | Wheel Hanger Bracket Assembly |
| 47 | 734-1781 | 1 | /P | Wheel Ass'y 8" x 1.75"(Plastic) |
| 47 | 734-1566 | 1 | S | Wheel Ass'y 8" x 1.75" (Steel) |
| 48 | 738-0929 | 1 | | Shoulder Screw.496 I.D. x 1.445 O.D. |
| 49 | 750-0890 | 1 | | Spacer |
| 50 | 710-1236 | 1 | | Carr. Bolt 5/16-18 x 1 |

21A-393A090 (2007)
Chain Case & Tines

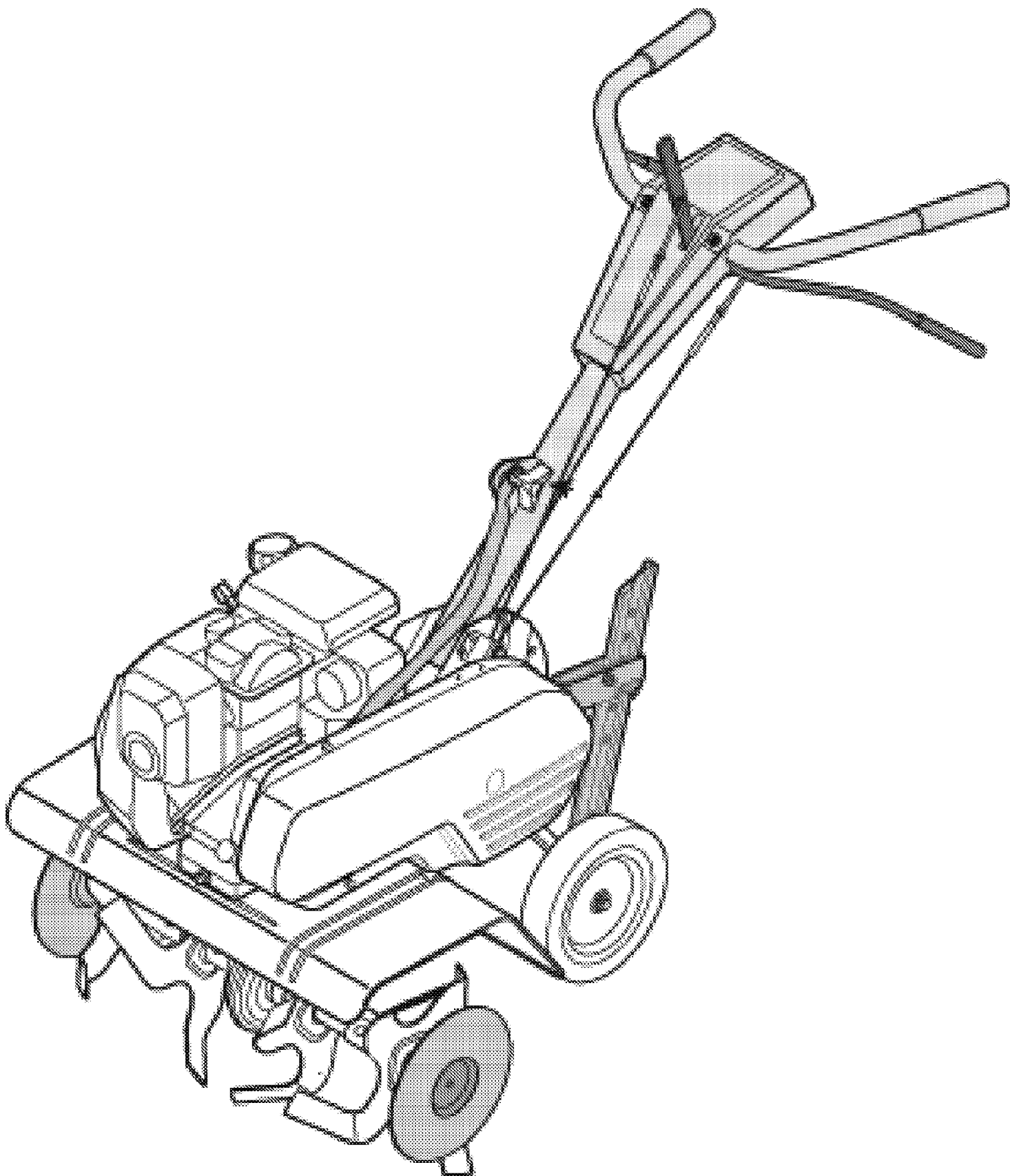
Page 3 of 7

| Ref # | Part Number | Qty | S/P/F | Description |
|-------|-------------|-----|-------|--|
| 51 | 749-0915A | 1 | | Engine Tube Brace Standard Briggs & Stratton |
| 51 | 749-1082 | 1 | S | Engine Tube Brace Tecumseh Engine |
| 52 | 712-04063 | 1 | /P | Hex Flange L-Nut 5/16-18 Thd. Standard Briggs & Stratton and Tec. Engine |
| 53 | 786-0159 | 1 | | Engine Brkt. Standard Briggs & Stratton |
| 55 | 736-0242 | 1 | /P | Bell. Wash.34" I.D. |
| 52 | 720-0195 | 1 | | Hand Knob |
| 53 | 750-0470 | 1 | | Spacer |



| Ref # | Part Number | Qty | S/P/F | Description |
|-------|-------------|-----|-------|------------------------------------|
| 1 | 712-0392 | 1 | /P | Hex L-Stop nut 1/4-28 |
| 2 | 736-3020 | 1 | S | Flat Wash.266" I.D. x.625" O.D. |
| 3 | 710-0599 | 1 | /P | Hex Washer TT-Tap Scr. 1/4-20 x.5" |
| 4 | 711-0920 | 1 | | Belt Cover Bolt |
| 5 | 712-04063 | 1 | /P | Hex Flange Top L-Nut 5/16-18 |
| 6 | 710-0723 | 1 | /P | Hex Hd. Scr. 3/8-16 x 1.25" Lg. |
| 7 | 756-0313 | 1 | /P | Flat Idler Pulley 2.12" O.D. |
| 8 | 786-0149 | 1 | | Idler Belt Keeper |
| 9 | 786-0144 | 1 | S | Idler Bracket |
| 10 | 712-0266 | 1 | S | Hex Cent. Jam Nut 3/8-16 Thd. |
| 11 | 786-0057 | 1 | /P | Belt Cover |
| 13 | 786-0043A | 1 | /P | Tine Shield |
| 14 | 710-3008 | 1 | /P | Hex Hd. Cap Scr. 5/16-18 x.75" Lg |
| 16 | 686-0091 | 1 | S | Chain Case Assembly Complete |
| 17 | 686-0106 | 1 | S | Outer Disc Plate Assembly |
| 18 | 714-0149B | 1 | S | Internal Cotter Pin |
| 19 | 711-0415 | 1 | S | Clevis Pin |
| 20 | 642-0023 | 1 | S | Outer Tine Assembly L.H. |
| 20 | 642-0024 | 1 | S | Outer Tine Assembly R.H. |
| 21 | 642-0003 | 1 | S | Inner Tine Assembly L.H. |
| 21 | 642-0002 | 1 | S | Inner Tine Assembly R.H. |
| 22 | 746-0918 | 1 | S | Forward Clutch Cable |
| 23 | 746-0953 | 1 | | Reverse Clutch Cable |
| 24 | 756-0585 | 1 | | FI-Pulley 6" Dia. |
| 25 | 750-0892 | 1 | S | Spacer.64" Dia. x 2.4" Lg. |
| 26 | 748-0350 | 1 | S | Pulley Mounting Adapter |
| 27 | 736-0112 | 1 | /P | Bell-Wash.525" I.D. x 1.5" O.D. |
| 28 | 712-3029 | 1 | /P | Hex Jam Nut 1/2-20 Thd. |
| 29 | 732-0697 | 1 | | Return Spring |
| 30 | 786-0040B | 1 | S | Reverse Bracket |
| 31 | 736-0119 | 1 | S | Lock Washer 5/16 |
| 32 | 710-0237 | 1 | /P | Hex Bolt 5/16-24 x.625" |
| 33 | 756-0971 | 1 | | Engine Inner Half Pulley |
| 34 | 756-0600 | 1 | | Reverse Engine Pulley |
| 35 | 736-0452 | 1 | S | Bell Washer.396" I.D. x 1/14" O.D. |
| 36 | 710-1093 | 1 | | Hex Bolt 3/8-24 x 1.00" |
| 38 | 686-0013 | 1 | | Reverse Arm Assembly |
| 42 | 786-0041 | 1 | S | Reverse Belt Keeper |
| 43 | 710-0502A | 1 | /P | Hex L-Wash. TT-Tap 3/8-16 x 1.25" |
| 44 | 786-0145A | 1 | /P | Engine Plate |
| 45 | 786-0053 | 1 | S | Tine Shield Bracket |
| 46 | 736-0171 | 1 | S | L-Wash. 7/16" I.D. |
| 47 | 712-0240 | 1 | S | Hex Nut 7/16-20 Thd. |
| 48 | 754-0428 | 1 | S | V-Belt (Forward) 1/2 x 41.9" |
| 49 | 754-0429 | 1 | S | V-Belt (Reverse) 3/8 x 45.68" |
| 50 | 738-0102 | 1 | S | Shld. Screw.498 x 1.445 |
| 51 | 738-0930 | 1 | /P | Shld. Screw.560 x.165 |
| 52 | 710-0805 | 1 | /P | Screw 5/16-18 x 1.50 Honda Engine |
| 53 | 712-3010 | 1 | S | Hex Nut 5/16-18 Honda Engine |
| 54 | 736-0242 | 1 | /P | Bell Washer Honda Engine |

21A-393A090 (2007)
Quick Reference 393A



| Ref # | Part Number | Qty | S/P/F | Description |
|-------|-------------|-----|-------|--------------------|
| | N/A | 1 | | Spark Plug |
| | N/A | 1 | | Pre Filter |
| | N/A | 1 | | Air Filter |
| | N/A | 1 | | Fuel Filter |
| | 754-0428 | 1 | S | Drive Belt (FWD) |
| | 754-0429 | 1 | S | Drive Belt (REV) |
| | 756-0313 | 1 | /P | Idler Pulley |
| | 746-0918 | 1 | S | Clutch Cable (FWD) |
| | 746-0953 | 1 | | Clutch Cable (REV) |
| | 642-0023 | 1 | S | Tines Outer (LH) |
| | 642-0024 | 1 | S | Tines Outer (RH) |
| | 642-0003 | 1 | S | Tines Inner (LH) |
| | 642-0002 | 1 | S | Tines Inner (RH) |
| | N/A | 1 | | Rim |
| | N/A | 1 | | Tire |
| | 734-1268 | 1 | /P | Wheel Assembly |
| | 720-0274 | 1 | /P | Grip |
| | N/A | 1 | | Shift Control Knob |
| | 720-0195 | 1 | | Handle Knob |